

Electrical Characteristics

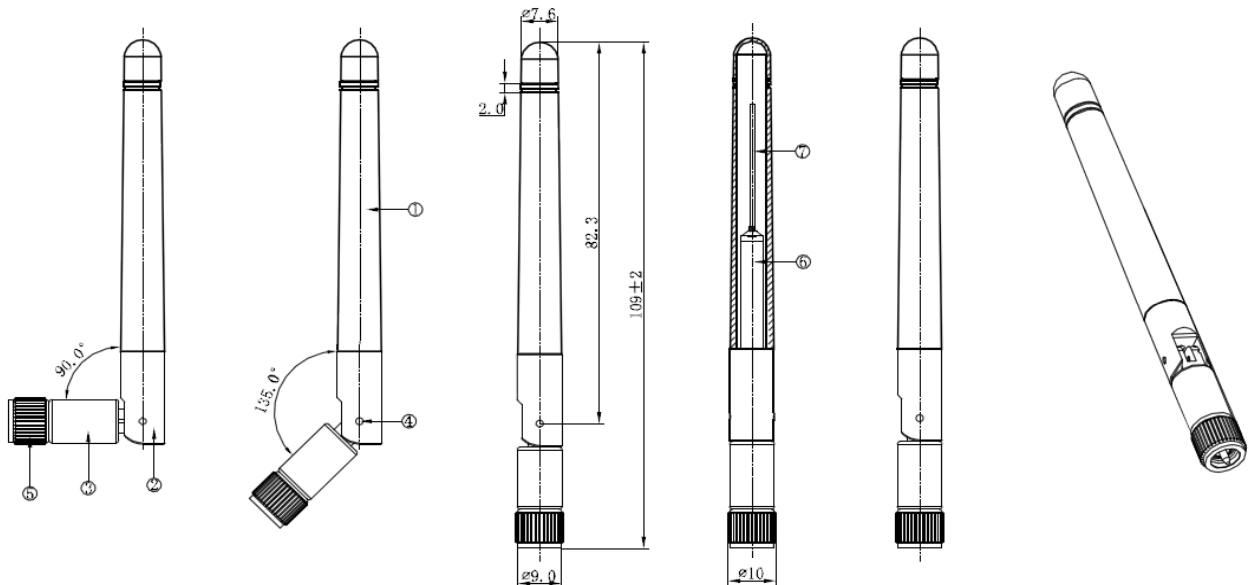
Working Frequency	2400~2500 MHz
V.S.W.R	≤ 2.0
Typical Antenna Gain	5.0 dBi
Polarization	Linear
Impedance	50 Ohm

Material & Mechanical Characteristics

Material of Radiator	CU
Material of Plastic	ABS
Connector Type	SMA or Optional

Environment

Operation Temperature	- 20°C~ + 65°C
Storage Temperature	- 30°C~ + 75°C


How to order

Series No.	Connector
------------	-----------

SA09

 SMA, FME...
Optional

Electrical Characteristics

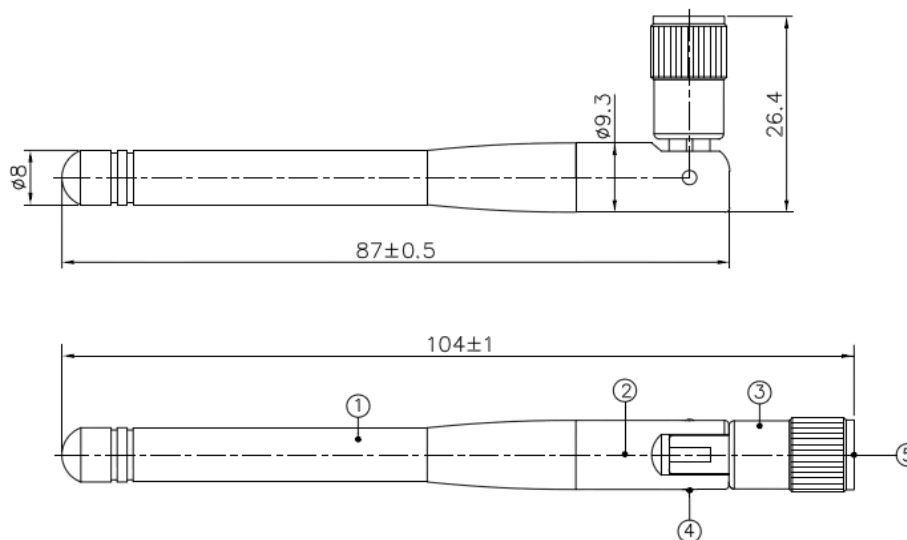
Working Frequency	2400~2500 MHz
V.S.W.R	≤ 2.0
Typical Antenna Gain	2.0 dBi
Polarization	Linear, Vertical
Impedance	50 Ohm

Material & Mechanical Characteristics

Material of Radiator	CU
Material of Plastic	ABS
Connector Type	SMA or Optional

Environment

Operation Temperature	- 10°C~ + 60°C
Storage Temperature	- 10°C~ + 70°C


How to order
Series No.
Connector Type

SA14

 SMA, FME ...
 Optional

Electrical Characteristics

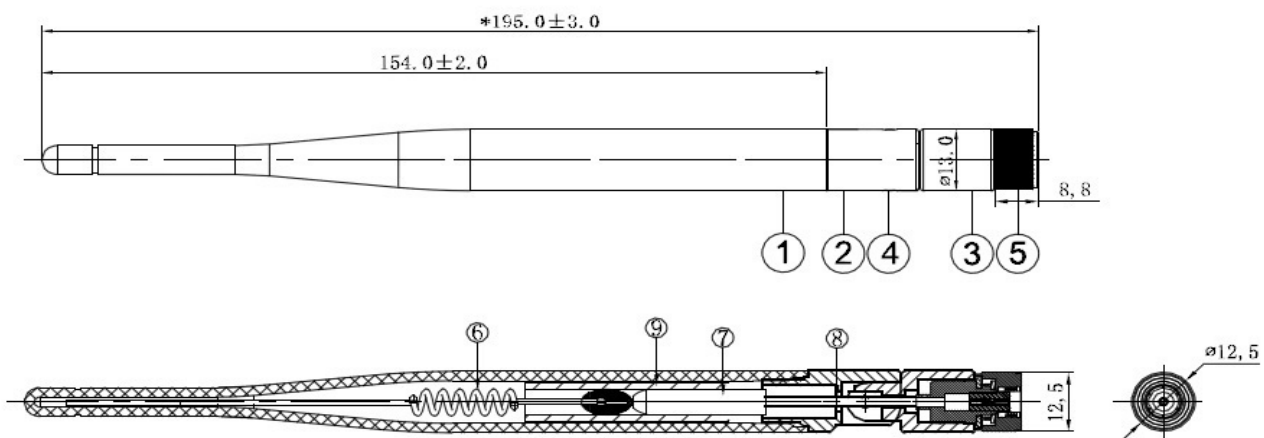
Working Frequency	2400~2500 MHz
V.S.W.R	≤ 2.0
Typical Antenna Gain	5.0 dBi
Polarization	Swivel
Impedance	50 Ohm

Material & Mechanical Characteristics

Material of Radiator	CU
Material of Plastic	ABS
Connector Type	SMA or Optional

Environment

Operation Temperature	- 10°C~ + 60°C
Storage Temperature	- 10°C~ + 70°C


How to order

Series No.	Connector Type
SA-C-05-A	SMA, FME ... Optional

Electrical Characteristics

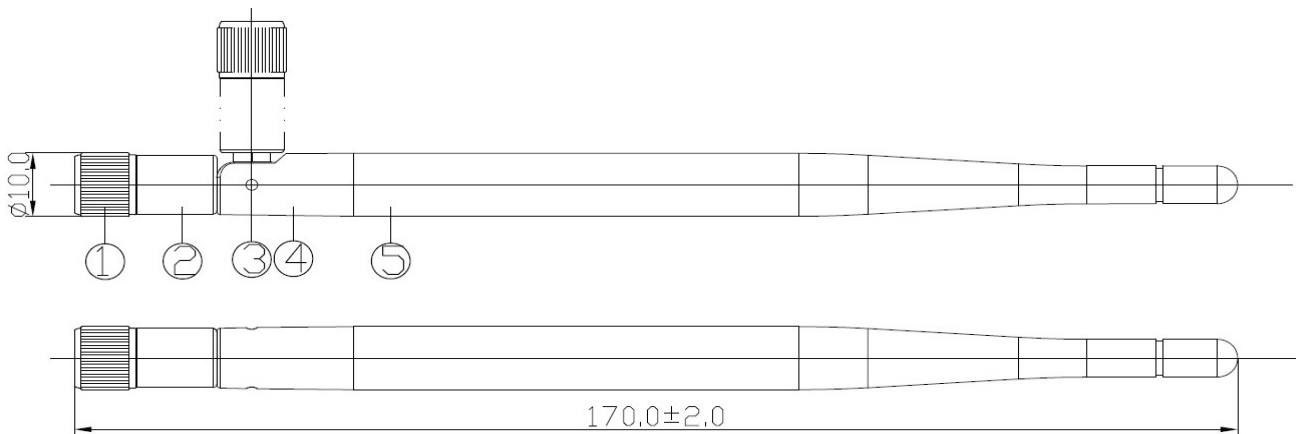
Working Frequency	2400~2500 MHz
V.S.W.R	≤ 2.0
Typical Antenna Gain	5.0 dBi
Polarization	Swivel
Impedance	50 Ohm

Material & Mechanical Characteristics

Material of Radiator	CU
Material of Plastic	ABS
Connector Type	SMA or Optional

Environment

Operation Temperature	- 10°C~ + 60°C
Storage Temperature	- 10°C~ + 70°C


How to order

Series No.

Connector Type

SA-C-05-B

 SMA
SMA RP

Electrical Characteristics

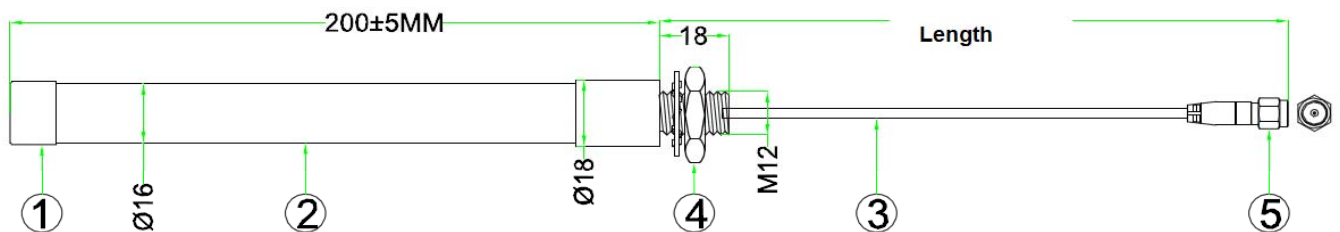
Working Frequency	2400~2500 MHz
V.S.W.R	≤ 2.0
Typical Antenna Gain	5.0 dBi
Polarization	Linear, Vertical
Impedance	50 Ohm

Material & Mechanical Characteristics

Material of Radiator	CU
Material of Plastic	ABS
Connector Type	Optional

Environment

Operation Temperature	- 45°C~ + 85°C
Storage Temperature	- 45°C~ + 85°C



How to order

Series No.	TYPE	TYPE	Connector	Cable Type
SA-WPA	C	05B	01 SMA.FME... Optional	1 RG174... Optional

Electrical Characteristics

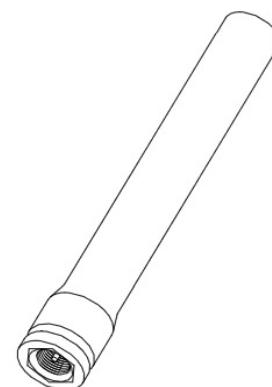
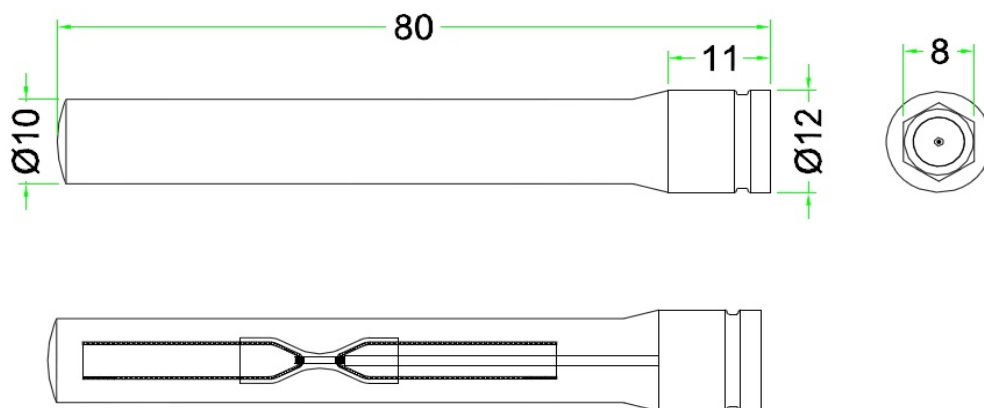
Working Frequency	2400~2500 MHz 5150~5850 MHz
V.S.W.R	≤ 2.5
Typical Antenna Gain	2.0 dBi
Polarization	Linear, Vertical
Impedance	50 Ohm

Material & Mechanical Characteristics

Material of Radiator	CU
Material of Plastic	Body:ABS
Connector Type	SMA

Environment

Operation Temperature	- 45°C~ + 85°C
Storage Temperature	- 45°C~ + 85°C


How to order

Series No.	Type	Type	Connector
SA-WPA	C1	05	SMA
			SMA,FME.... Optional

Electrical Characteristics

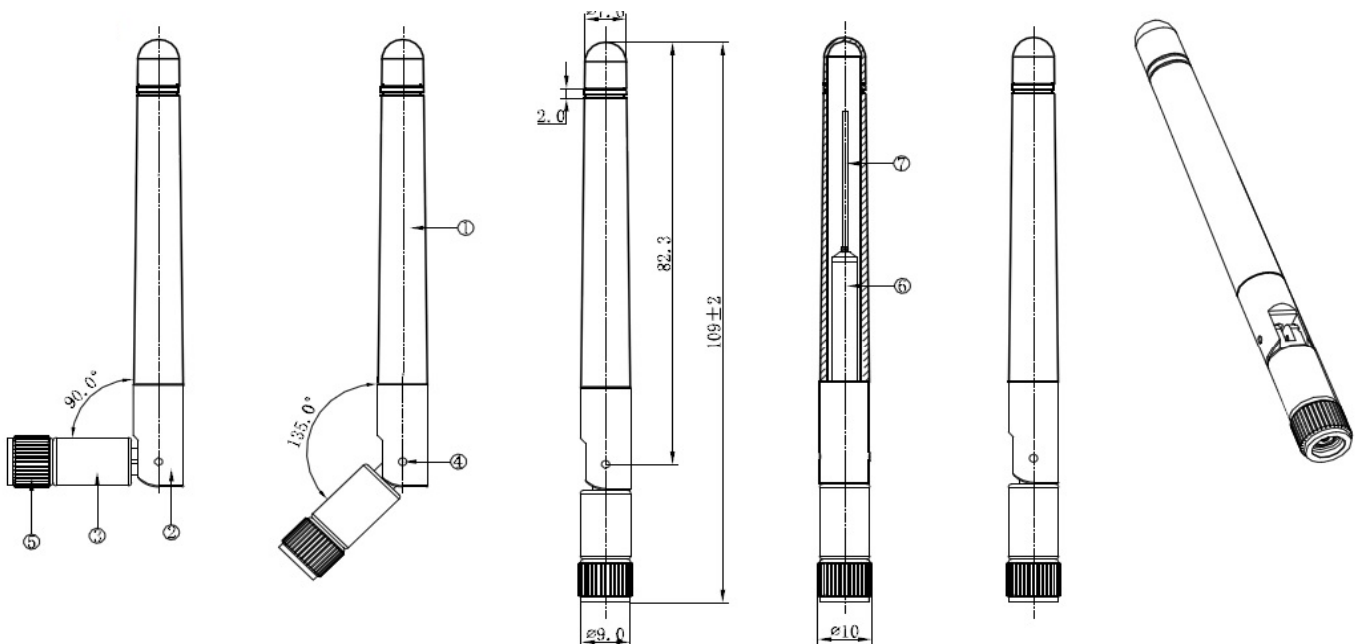
Working Frequency	2400~2500 MHz
V.S.W.R	≤ 2.0
Typical Antenna Gain	2.0 dBi
Polarization	Linear
Impedance	50 Ohm

Material & Mechanical Characteristics

Material of Radiator	CU
Material of Plastic	PA + ABS
Connector Type	SMA or Optional

Environment

Operation Temperature	- 45°C~ + 85°C
Storage Temperature	- 45°C~ + 85°C


How to order

Series No.	Type	Connector
SA-WPA	C2-05	SMA, FME... Optional