

Electrical Characteristics

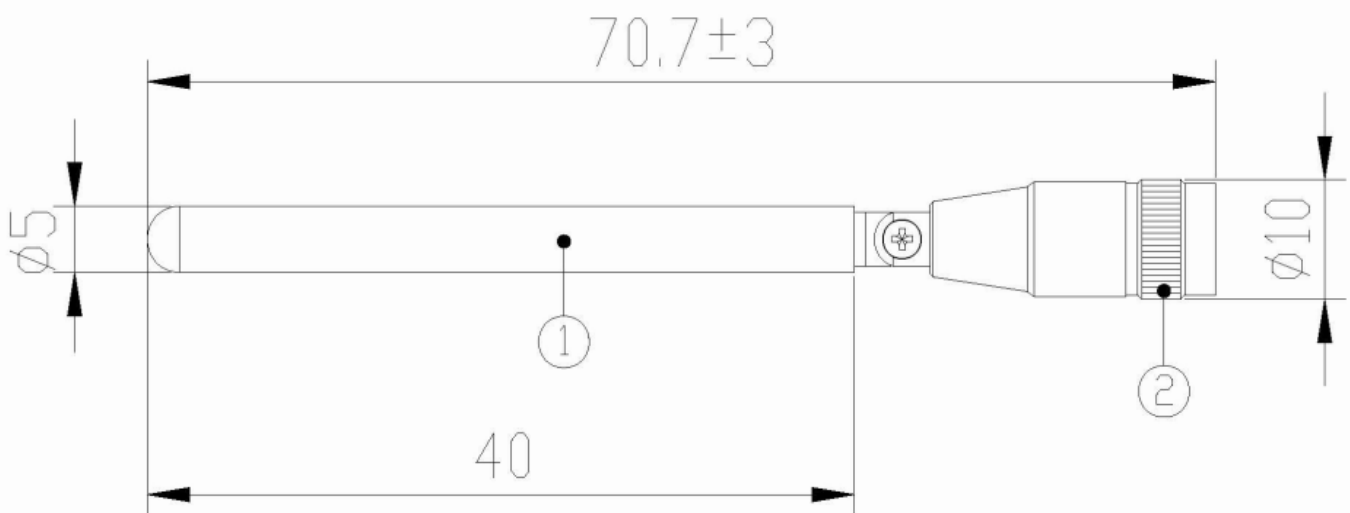
| | |
|----------------------|--|
| Working Frequency | 690~960MHz 1710~2170MHz 2400~2700MHz |
| V.S.W.R | <=6.0:1 |
| Typical Antenna Gain | Peak Gain: 3.9 dBi |
| Polarization | Vertical |
| Impedance | 50 Ohm |

Material & Mechanical Characteristics

| | |
|----------------------|----------|
| Material of Radiator | CU |
| Material of Plastic | PA+ABS |
| Connector Type | SMA Male |

Environmental

| | |
|-----------------------|----------------|
| Operation Temperature | - 20°C~ + 60°C |
| Storage Temperature | - 30°C~ + 70°C |


How to order

| Series No. | Type | Type | Connector |
|------------|------|------|--|
| SA | P | 01A | 01 |
| | 4G | | 01: SMA Straight male 04: SMA Straight male Reserve |

Electrical Characteristics

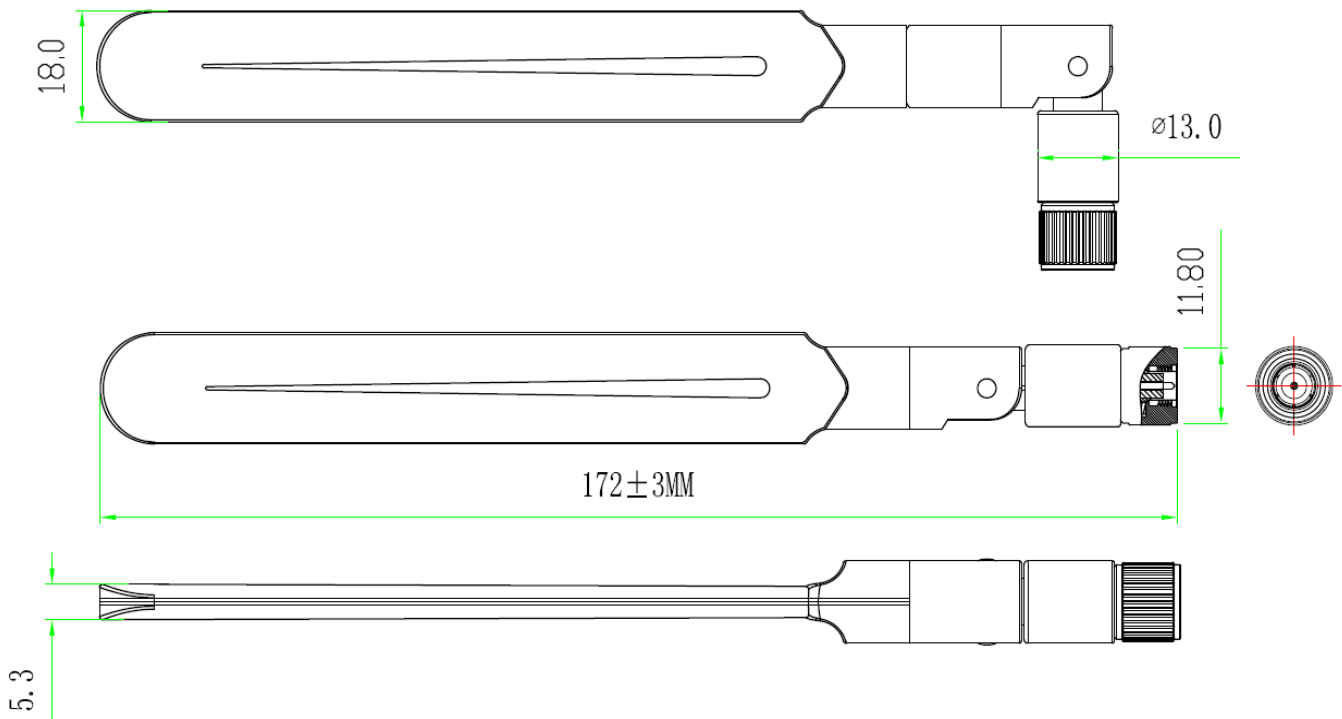
| | |
|----------------------|----------------------------|
| Working Frequency | 740~960MHz 1710~2700MHz |
| V.S.W.R | <=3.0 |
| Typical Antenna Gain | 3.0 dBi |
| Polarization | Vertical |
| Impedance | 50 Ohm |

Material & Mechanical Characteristics

| | |
|---------------------------|--------|
| Material of Radiator | CU |
| Material of Plastic | PA+ABS |
| Material of Coaxial Cable | RG178 |
| Connector Type | SMA |

Environment

| | |
|-----------------------|----------------|
| Operation Temperature | - 45°C~ + 85°C |
| Storage Temperature | - 45°C~ + 85°C |


How to order

| Series No. | TYPE | TYPE | Connector |
|------------|---------|------|--|
| SA | P 4G | 05A | 01 01: SMA Straight male 04: SMA Straight male Reserve |

Electrical Characteristics

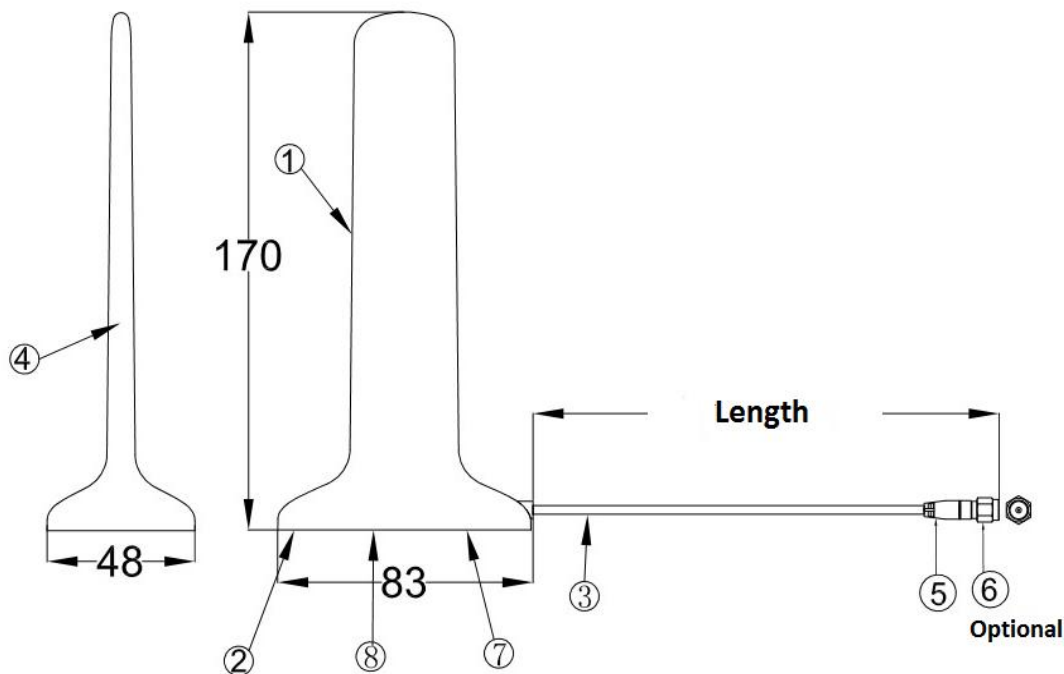
| | |
|----------------------|----------------------------|
| Working Frequency | 698~960MHz 1800~2700MHz |
| V.S.W.R | <=2.5 |
| Typical Antenna Gain | 2.0~5.0 dBi |
| Polarization | Vertical |
| Impedance | 50 Ohm |

Material & Mechanical Characteristics

| | |
|---------------------------|----------|
| Material of Radiator | CU |
| Material of Plastic | PC+ABS |
| Material of Coaxial Cable | RG174U |
| Connector Type | SMA Male |

Environmental

| | |
|-----------------------|----------------|
| Operation Temperature | - 45°C~ + 85°C |
| Storage Temperature | - 45°C~ + 85°C |


How to order

| Series No. | TYPE | TYPE | Connector | Cable Type | Cable Length |
|------------|------------------|------|------------------------------|------------|-----------------------|
| SA | P 4G Magnetic | 05B | 01 SMA,FME... Optional | A RG174 | 1 1:1M Optional |

Electrical Characteristics

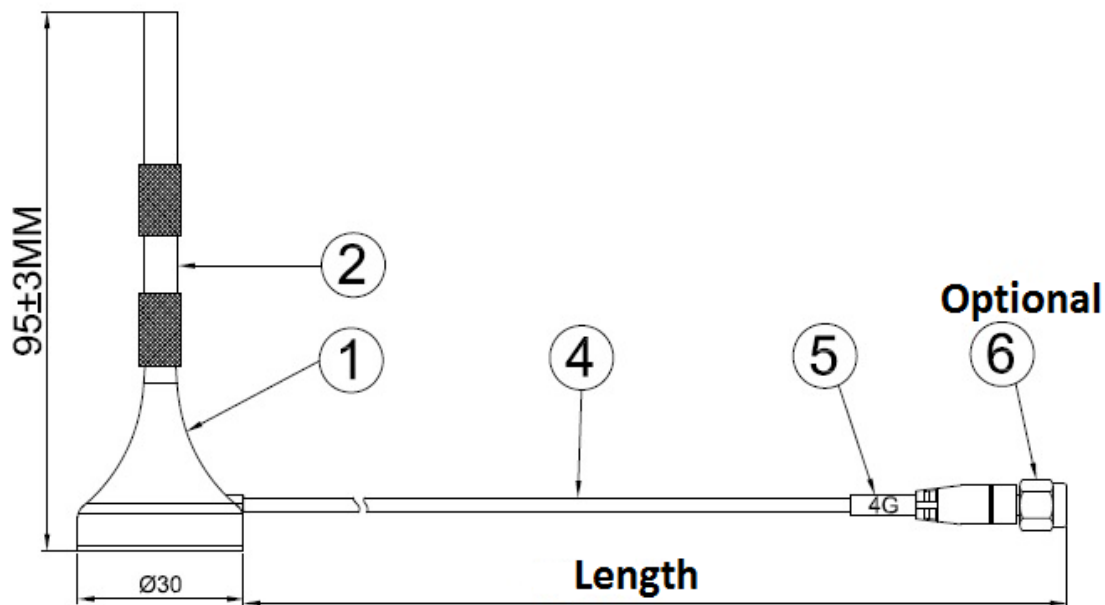
| | |
|----------------------|---|
| Working Frequency | 698~960MHz 1800~2170MHz 2400~2700MHz |
| V.S.W.R | <=3.0 |
| Typical Antenna Gain | Peak Gain: 3+-0.5 dBi Average Gain: 3+-0.5 |
| Polarization | Vertical |
| Impedance | 50 Ohm |

Material & Mechanical Characteristics

| | |
|---------------------------|--------|
| Material of Radiator | CU |
| Material of Plastic | PC+ABS |
| Material of Coaxial Cable | RG174U |
| Connector Type | MCX P |

Environmental

| | |
|-----------------------|----------------|
| Operation Temperature | - 45°C~ + 85°C |
| Storage Temperature | - 45°C~ + 85°C |


How to order

| Series No. | TYPE | TYPE | Connector Type | Cable Type | Cable Length |
|------------|-------------|------|------------------------|----------------------|------------------|
| SA | P | 05-D | 01 | 1 | 1.0 |
| | 4G Magnetic | | SMA,FME... Optional | RG174... Optional | 1:1M Optional |

Electrical Characteristics

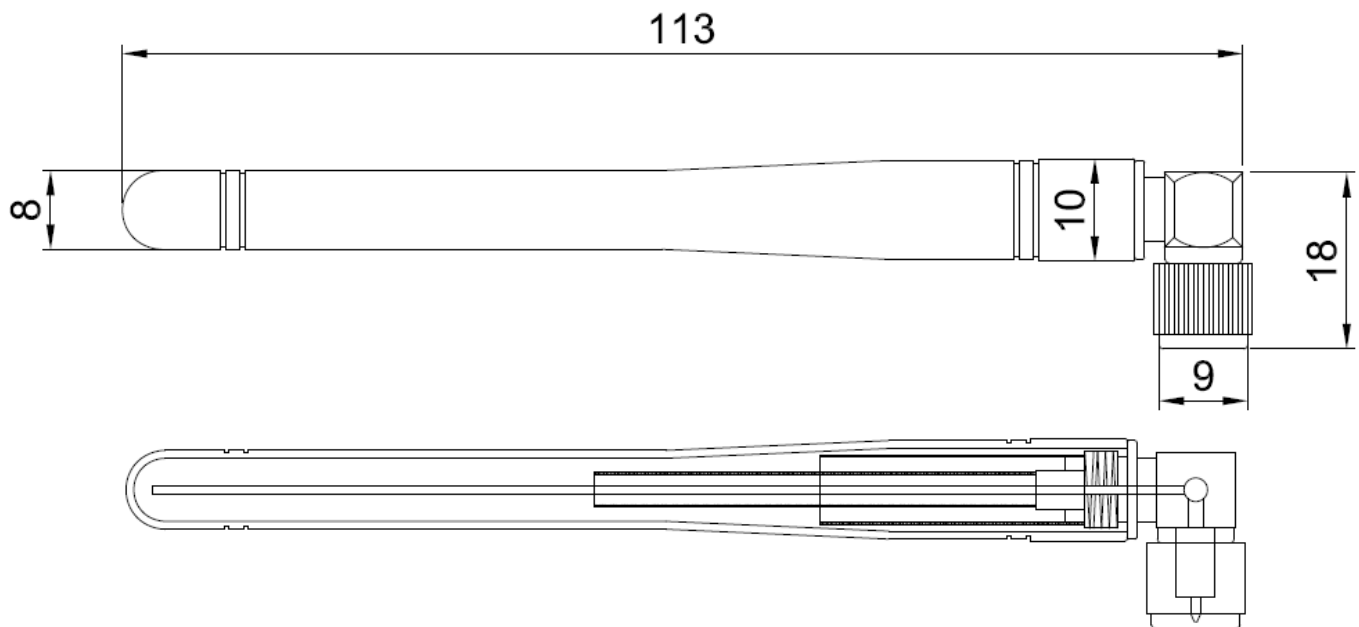
| | |
|----------------------|-------------|
| Working Frequency | 700~2700MHz |
| V.S.W.R | ≤ 2.5 |
| Typical Antenna Gain | 2.0 dBi |
| Polarization | Linear |
| Impedance | 50 Ohm |

Material & Mechanical Characteristics

| | |
|----------------------|----------|
| Material of Radiator | CU |
| Material of Plastic | PA+ABS |
| Connector Type | SMA Male |

Environment

| | |
|-----------------------|----------------|
| Operation Temperature | - 45°C~ + 85°C |
| Storage Temperature | - 45°C~ + 85°C |


How to order

| Series No. | TYPE | TYPE | Connector |
|------------|------|------|---|
| SA | P | 05F | 02 |
| | 4G | | 02:SMA R/A male 07:SMA R/A male Reserve |

Electrical Characteristics

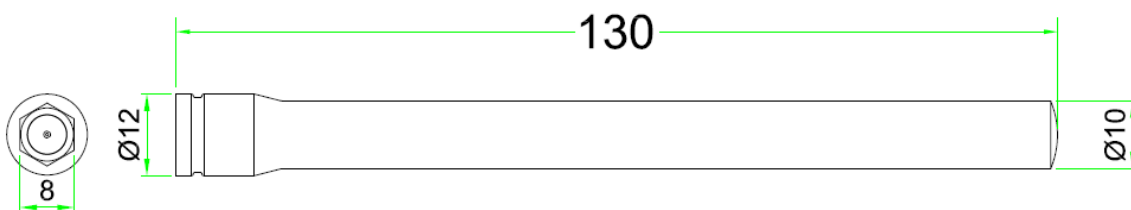
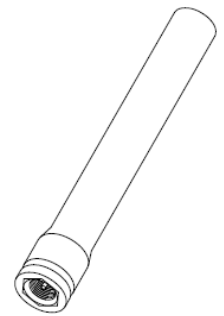
| | |
|----------------------|-------------|
| Working Frequency | 700~2700MHz |
| V.S.W.R | <=3.5 |
| Typical Antenna Gain | 2.0 dBi |
| Polarization | Linear |
| Impedance | 50 Ohm |

Material & Mechanical Characteristics

| | |
|----------------------|----------|
| Material of Radiator | CU |
| Material of Plastic | PA+ABS |
| Connector Type | SMA Male |

Environment

| | |
|-----------------------|----------------|
| Operation Temperature | - 45°C~ + 85°C |
| Storage Temperature | - 45°C~ + 85°C |


How to order

| Series No. | TYPE | TYPE | Connector |
|------------|------|------|--|
| SA | P | 05G | 01 |
| | 4G | | 01: SMA Straight male 04: SMA Straight male Reserve |

Electrical Characteristics

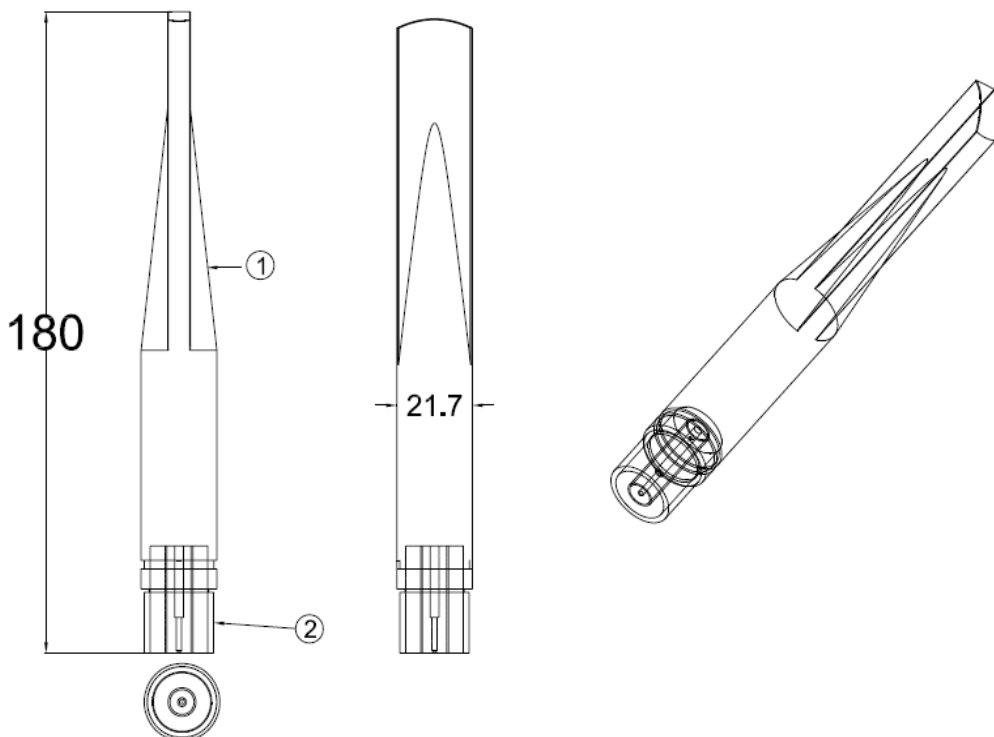
| | |
|----------------------|----------------------------|
| Working Frequency | 698~960MHz 1710~2700MHz |
| V.S.W.R | <=3.0 |
| Typical Antenna Gain | 3.0~5.0 dBi |
| Polarization | Vertical |
| Impedance | 50 Ohm |

Material & Mechanical Characteristics

| | |
|----------------------|-----|
| Material of Radiator | CU |
| Material of Plastic | TPE |
| Connector Type | NM |

Environmental

| | |
|-----------------------|----------------|
| Operation Temperature | - 45°C~ + 85°C |
| Storage Temperature | - 45°C~ + 85°C |


How to order

| Series No. | Type | Type | Connector Type |
|------------|------------|------|----------------|
| SA | P | 05-H | 15 |
| | 4G Antenna | | 15: N Male |

Electrical Characteristics

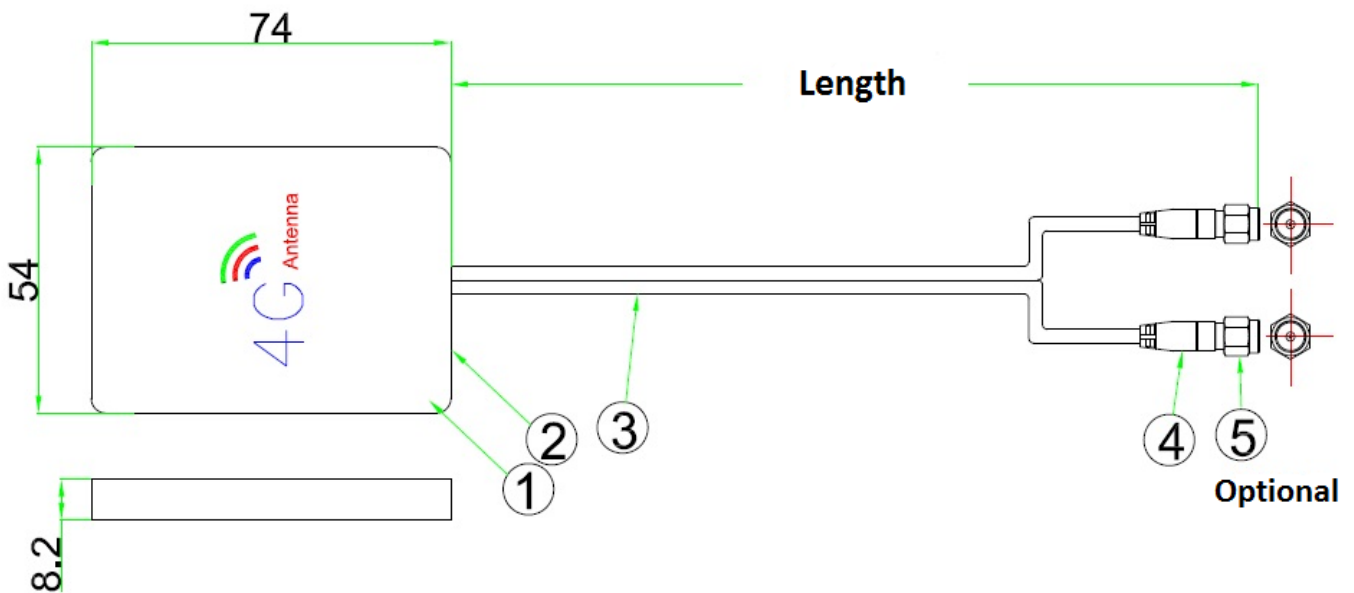
| | |
|----------------------|-------------|
| Working Frequency | 700~2700MHz |
| V.S.W.R | ≤ 2.5 |
| Typical Antenna Gain | 0~5.0 dBi |
| Polarization | Vertical |
| Impedance | 50 Ohm |

Material & Mechanical Characteristics

| | |
|---------------------------|----------|
| Material of Radiator | CU |
| Material of Plastic | ABS |
| Material of Coaxial Cable | RG174 |
| Connector Type | SMA Male |

Environmental

| | |
|-----------------------|----------------|
| Operation Temperature | - 30°C~ + 85°C |
| Storage Temperature | - 30°C~ + 85°C |


How to order

| Series No. | Type | Type | Connector Type | Cable Type | Cable Length |
|------------|------|------|----------------|------------|--------------|
| SA | P | 05-I | 01 | A | 3.0 |
| | 4G | | | A: RG174 | 3.0M |

Electrical Characteristics

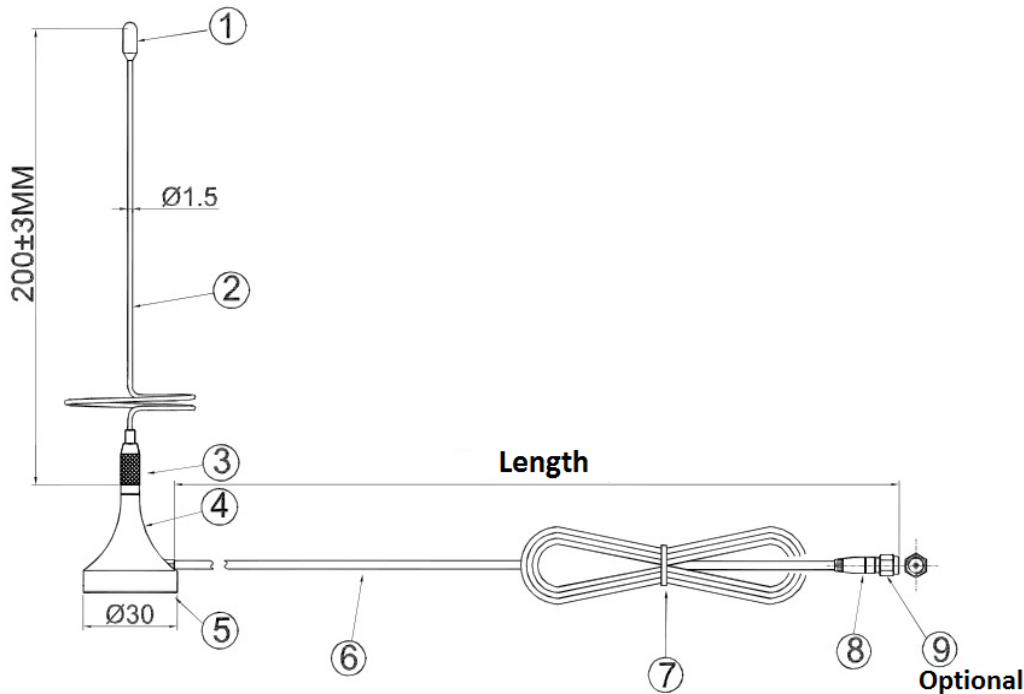
| | |
|----------------------|--|
| Working Frequency | 698~960MHz 1710~2170MHz 2400~2700MHz |
| V.S.W.R | <=3.0 |
| Typical Antenna Gain | 3.0 dBi |
| Polarization | Vertical |
| Impedance | 50 Ohm |

Material & Mechanical Characteristics

| | |
|---------------------------|----------|
| Material of Radiator | CU |
| Material of Plastic | PC+ABS |
| Material of Coaxial Cable | RG174U |
| Connector Type | SMA Male |

Environmental

| | |
|-----------------------|----------------|
| Operation Temperature | - 45°C~ + 85°C |
| Storage Temperature | - 45°C~ + 85°C |


How to order

| Series No. | Type | Type | Connector Type | Cable Type | Cable Length |
|------------|------|------|----------------|------------|--------------|
| SA | P | 05-J | 01 | A | 3.0 |
| | 4G | | 01: SMA Male | A: RG174 | 3.0M |

Electrical Characteristics

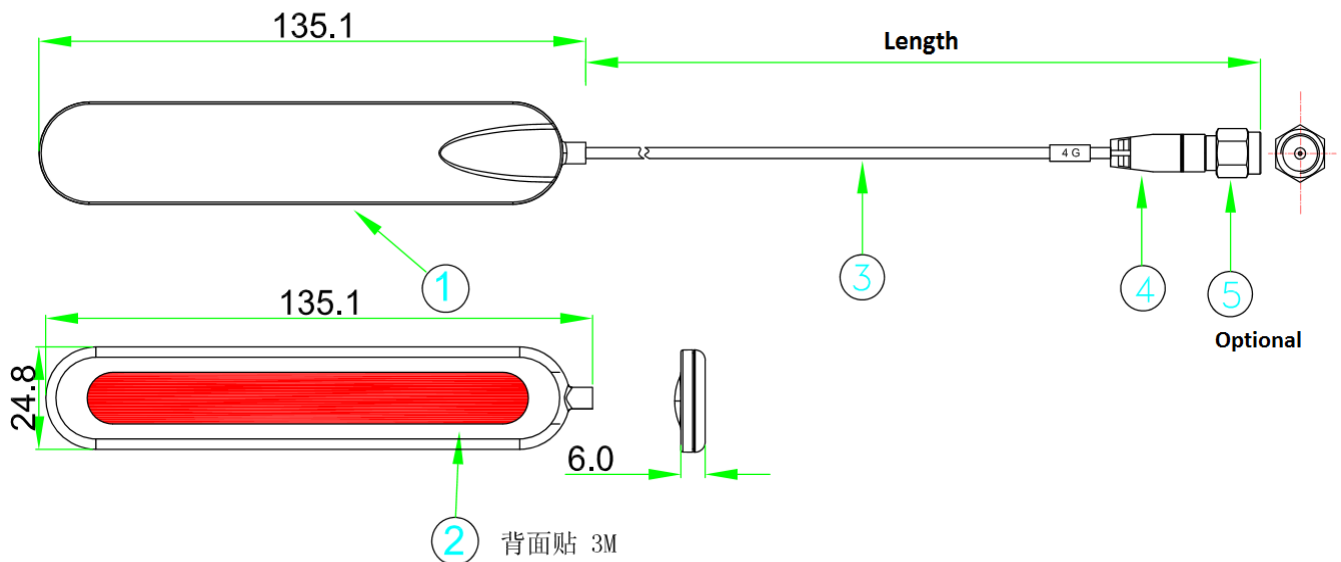
| | |
|----------------------|----------------------------|
| Working Frequency | 698~960MHz 1800~2700MHz |
| V.S.W.R | <=2.0 |
| Typical Antenna Gain | 3.0~5.0dBi |
| Polarization | Linear |
| Impedance | 50 Ohm |

Material & Mechanical Characteristics

| | |
|---------------------------|----------|
| Material of Radiator | CU |
| Material of Plastic | PC+ABS |
| Material of Coaxial Cable | RG174U |
| Connector Type | SMA Male |

Environmental

| | |
|-----------------------|----------------|
| Operation Temperature | - 45°C~ + 85°C |
| Storage Temperature | - 45°C~ + 85°C |


How to order

| Series No. | Type | Type | Type | Cable Type | Cable Length |
|------------|------|------|--------------|------------|--------------|
| SA | P | 05-K | 01 | A | 1.5 |
| | 4G | 05 | 01: SMA Male | A: RG174 | 1.5M |